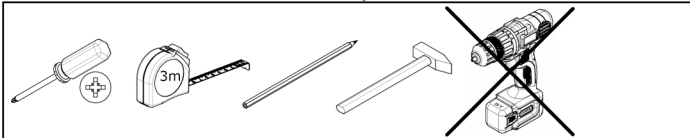
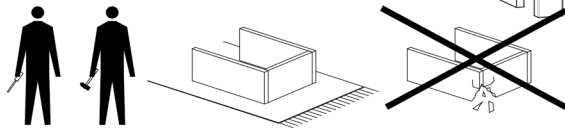
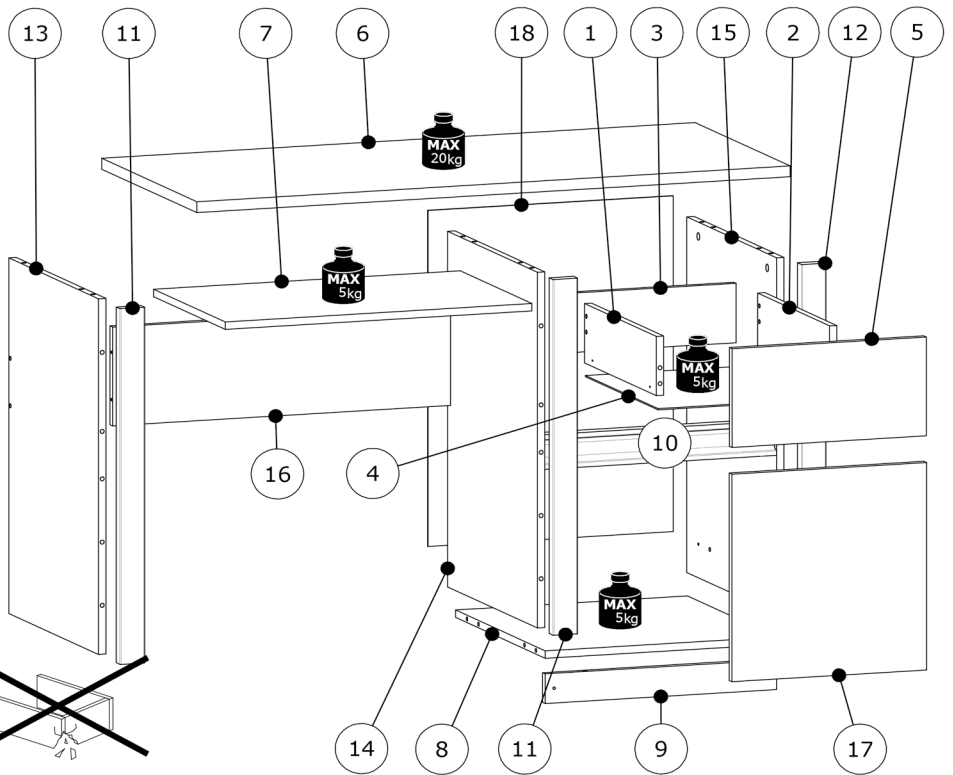
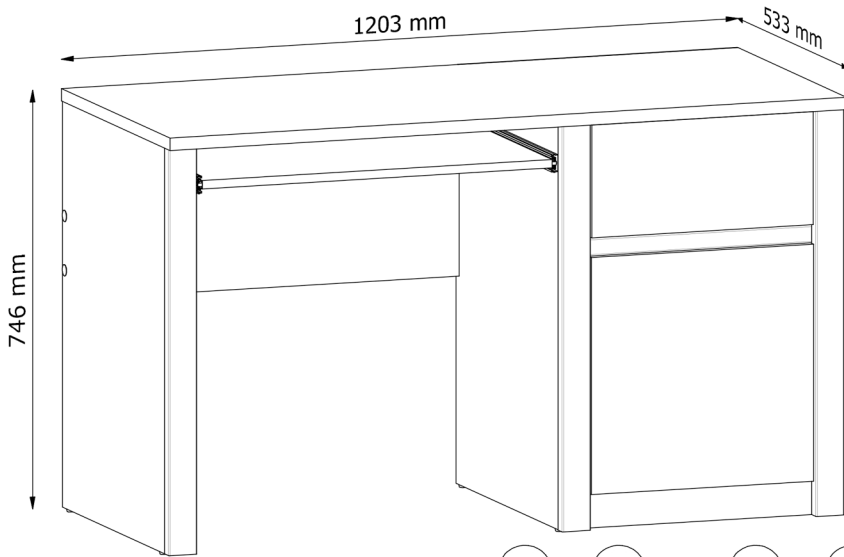


MONTANA

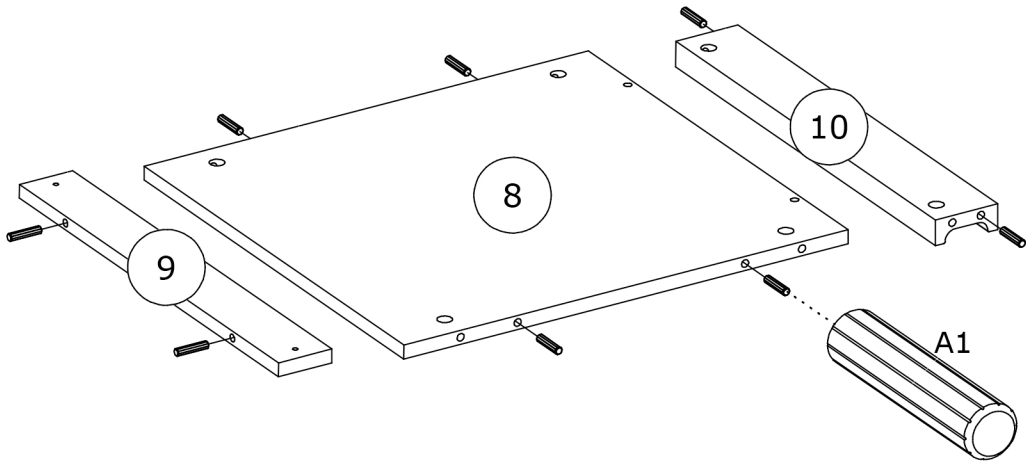
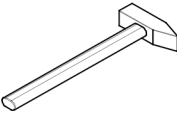
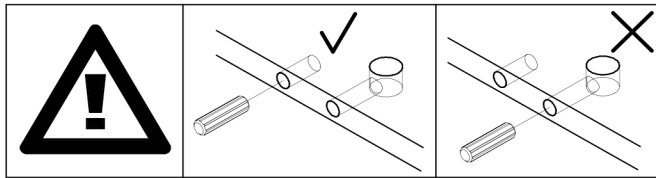
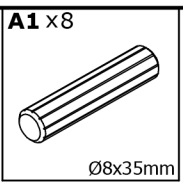
B1



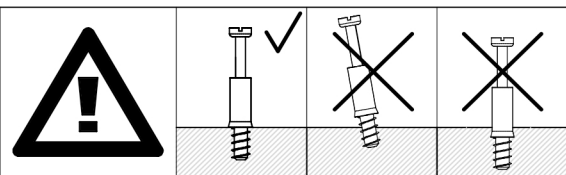
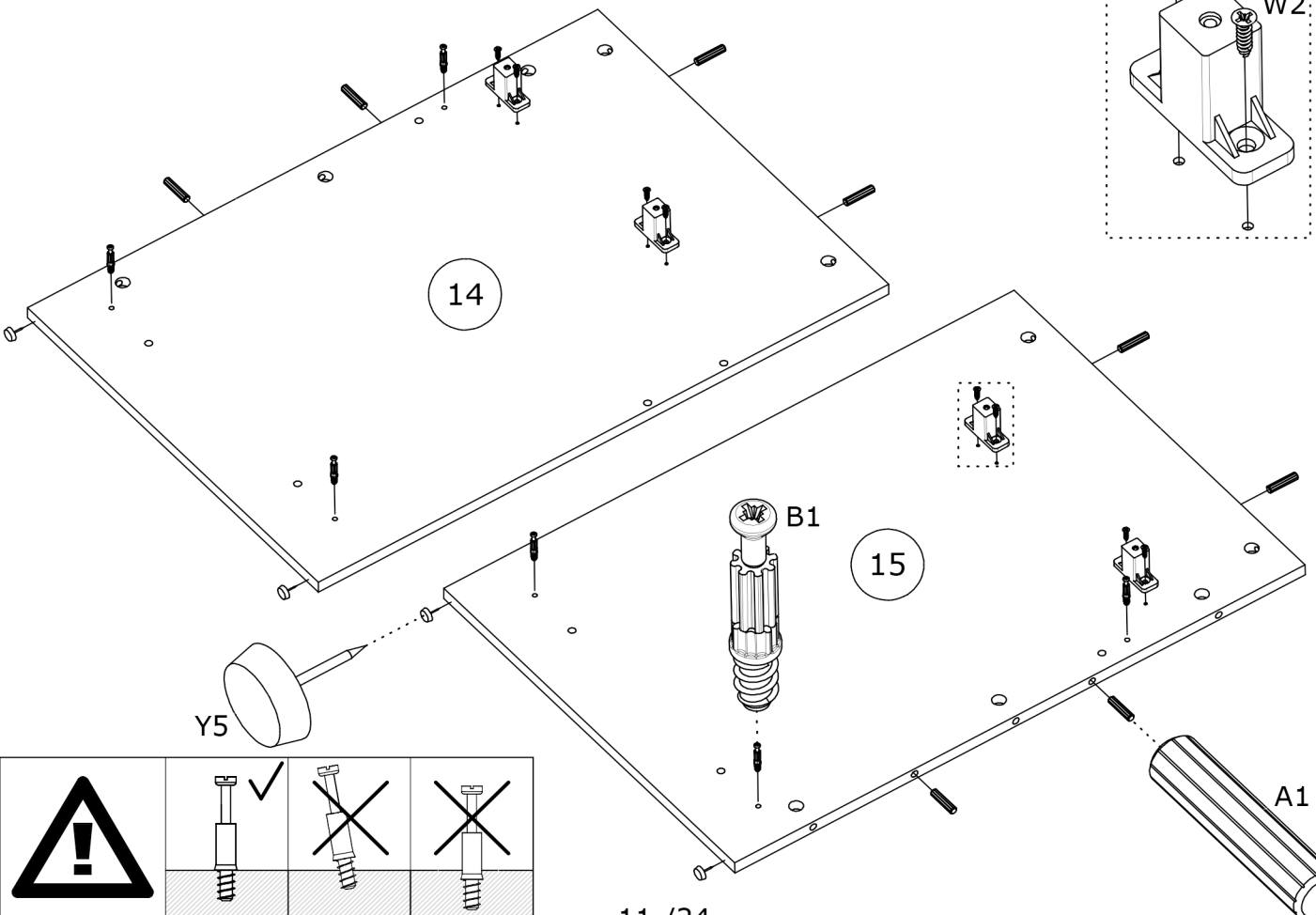
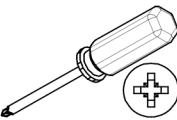
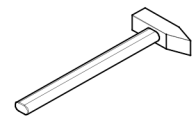
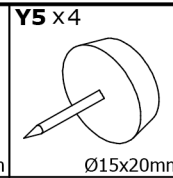
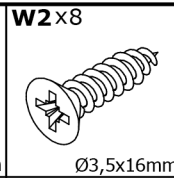
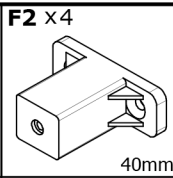
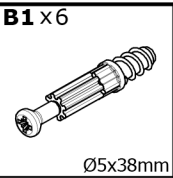
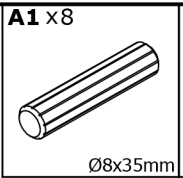
A1 x24 Ø8x35mm	B1 x23 Ø5x38mm	C1 x23 Ø15x12mm	F2 x6 40mm	G1 x35 26mm
J x16 Ø21mm	K1 x8 Ø6,4x50mm	N2 x1 4mm HEX	P3 x4 400mm	W2 x34 Ø3,5x16mm
W5 x2 Ø4x30mm	W7 x6 Ø4x50mm	Y1 x4 Ø8x1,5mm	Y5 x6 Ø15x20mm	Z6 x2 Ø35mm, 90°

No.	L[mm]	W[mm]	H[mm]	PSC	BOX
1	400	120	15	1	1/1
2	400	120	15	1	1/1
3	336	120	15	1	1/1
4	405	363	2,5	1	1/1
5	394	200	15	1	1/1
6	1203	530	22	1	1/1
7	622	400	15	1	1/1
8	500	470	15	1	1/1
9	469	60	15	1	1/1
10	470	70	28	1	1/1
11	720	50	22	2	1/1
12	720	50	22	1	1/1
13	720	500	15	1	1/1
14	720	500	15	1	1/1
15	720	500	15	1	1/1
16	685	200	15	1	1/1
17	420	395	15	1	1/1
18	680	497	2,5	1	1/1

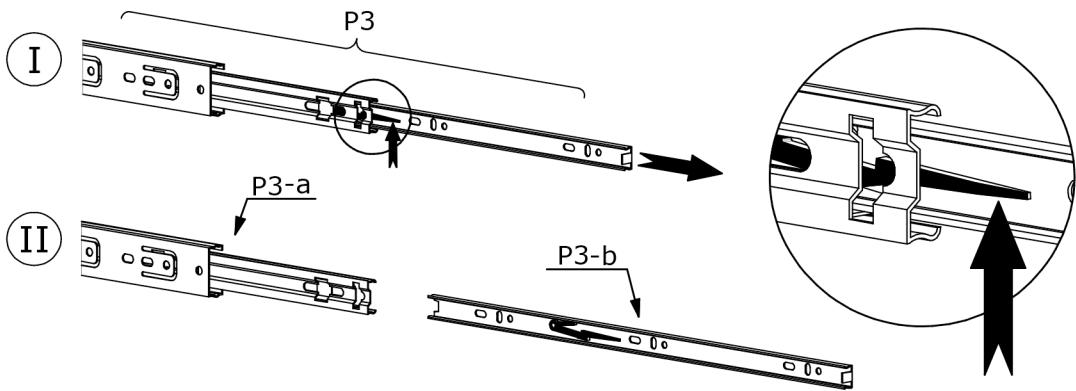
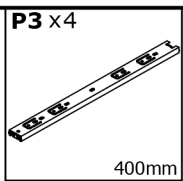
1



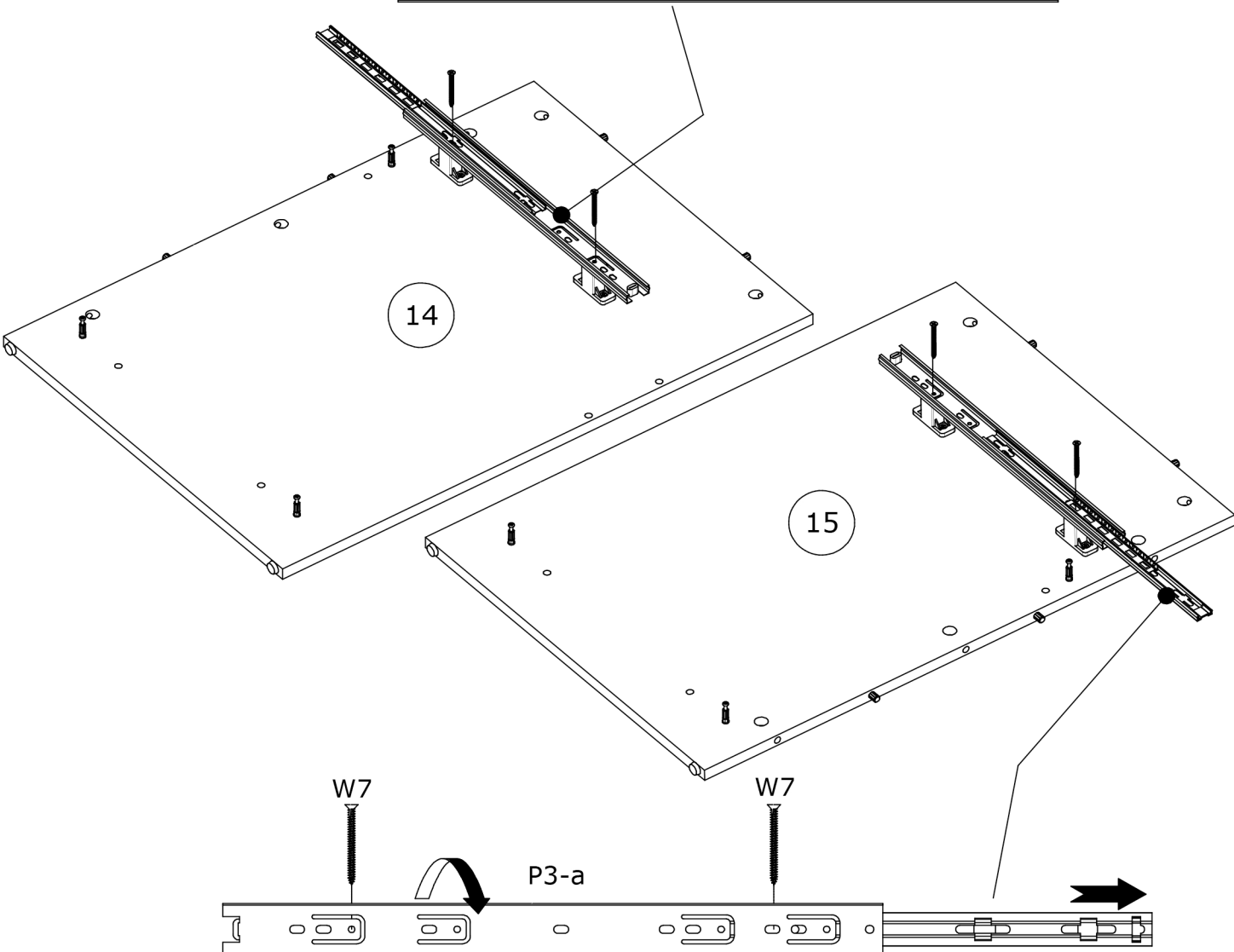
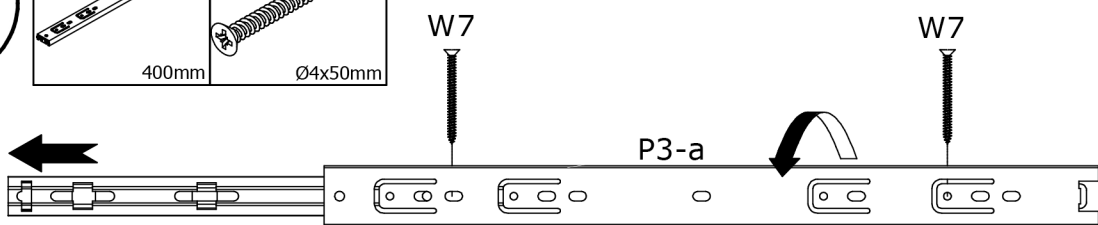
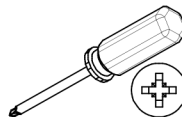
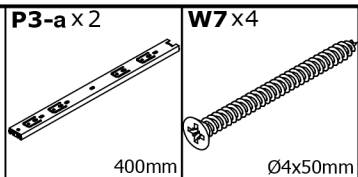
2



3



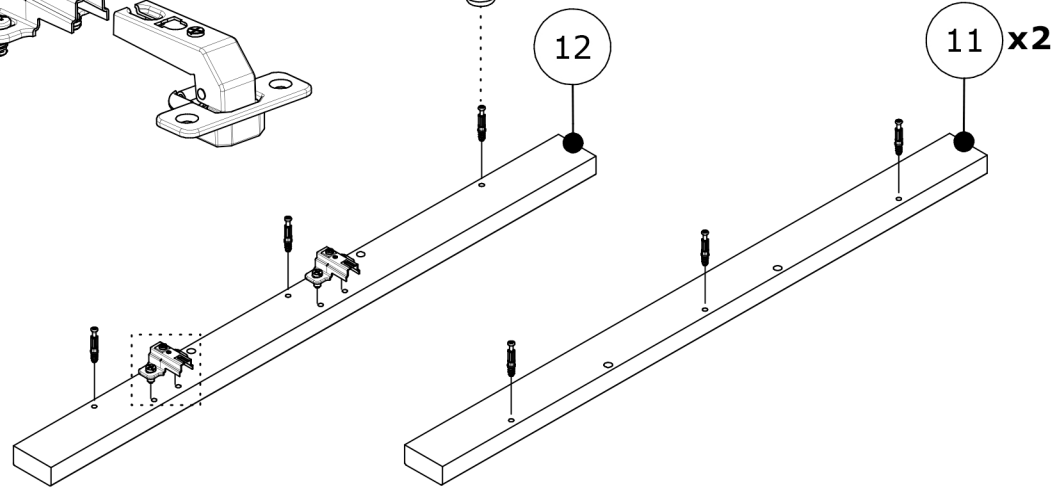
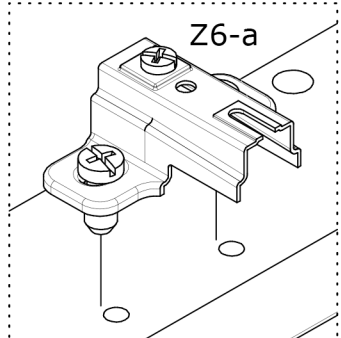
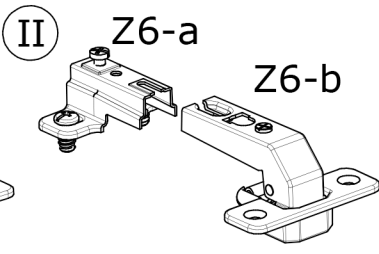
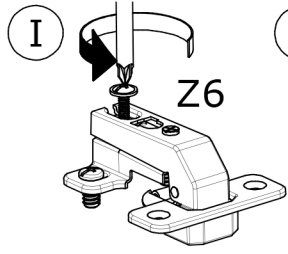
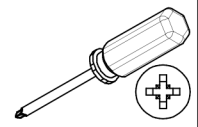
4



5

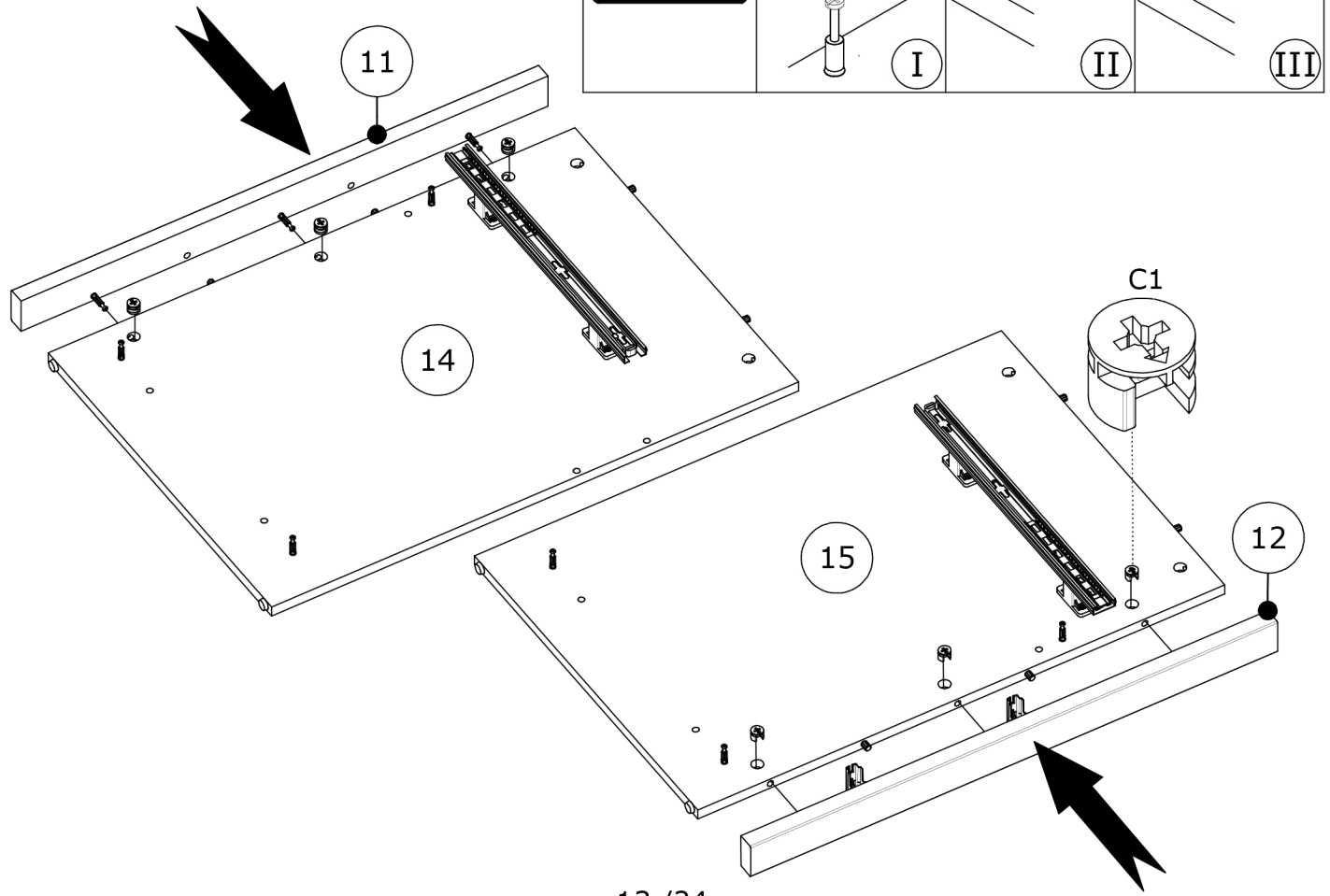
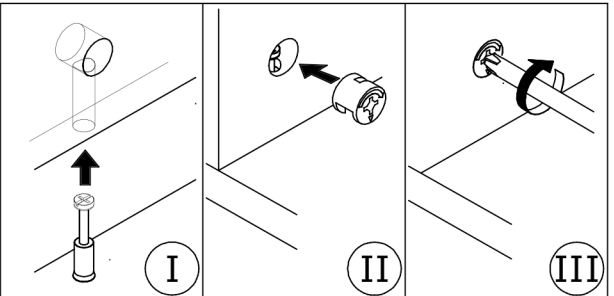
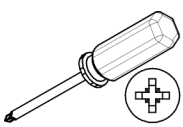
B1 x 9
Ø5x38mm

Z6 x 2
Ø35mm, 90°

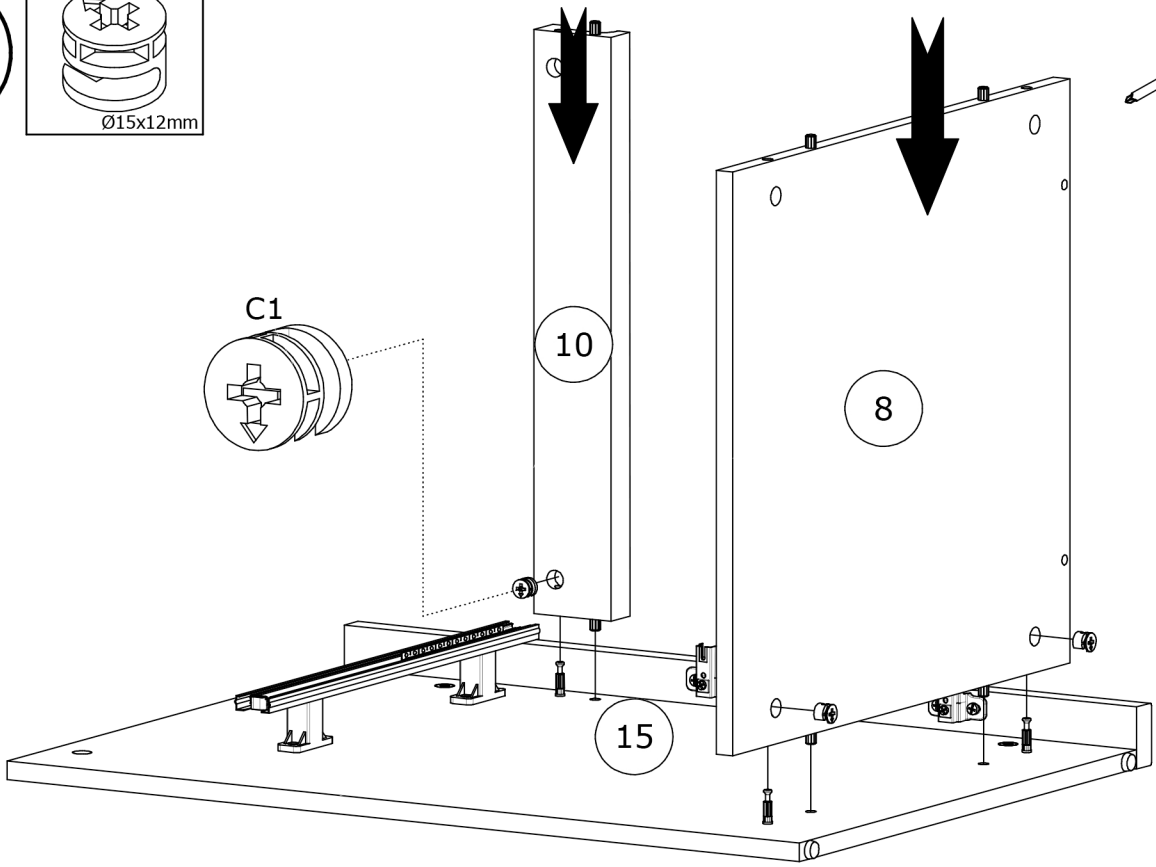
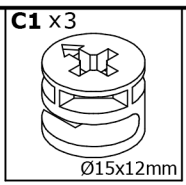


6

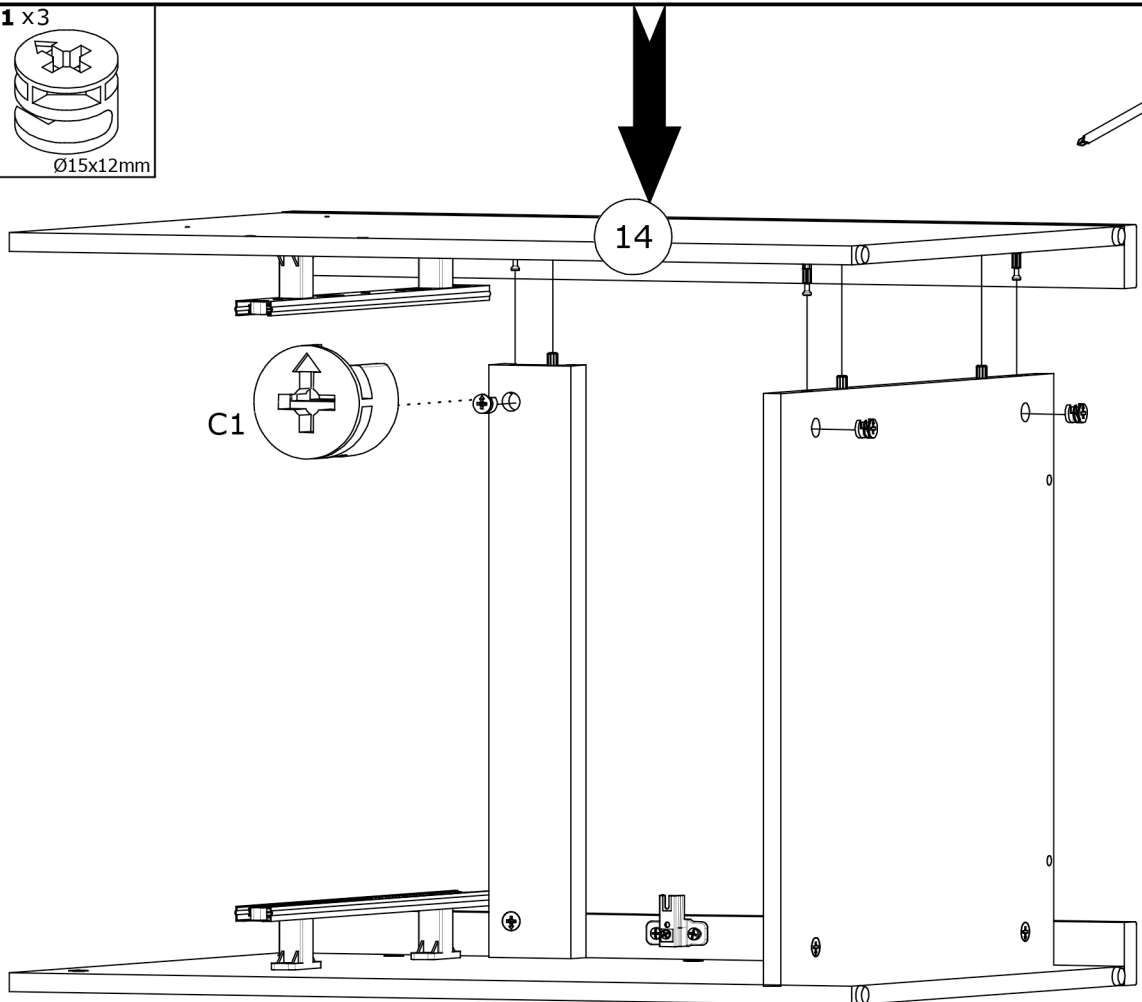
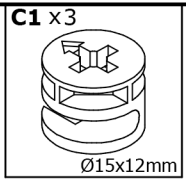
C1 x 6
Ø15x12mm



7

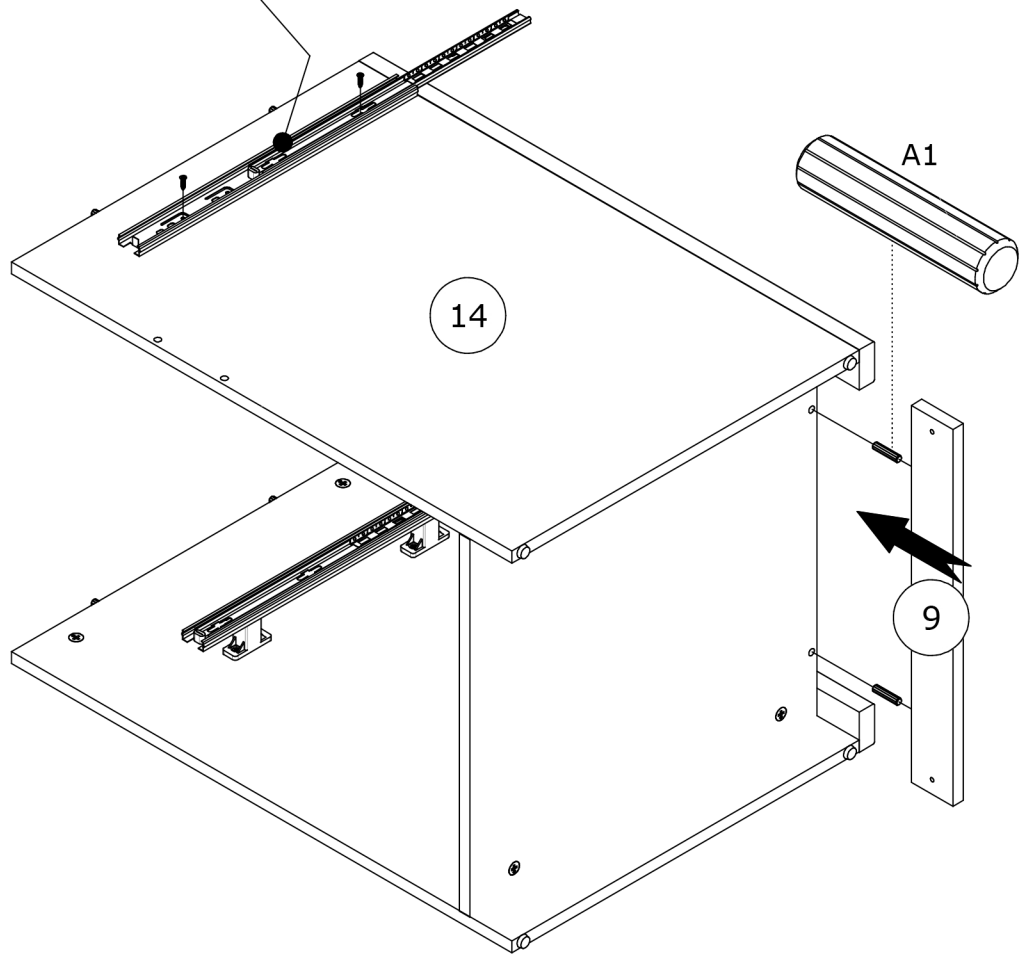
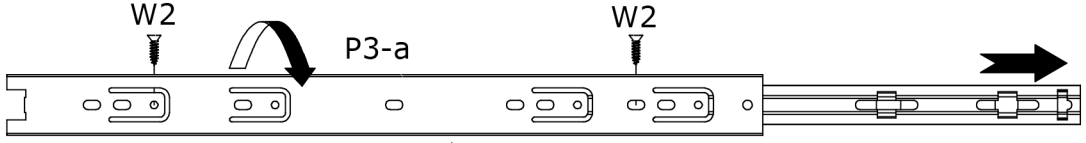
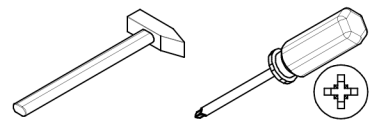


8



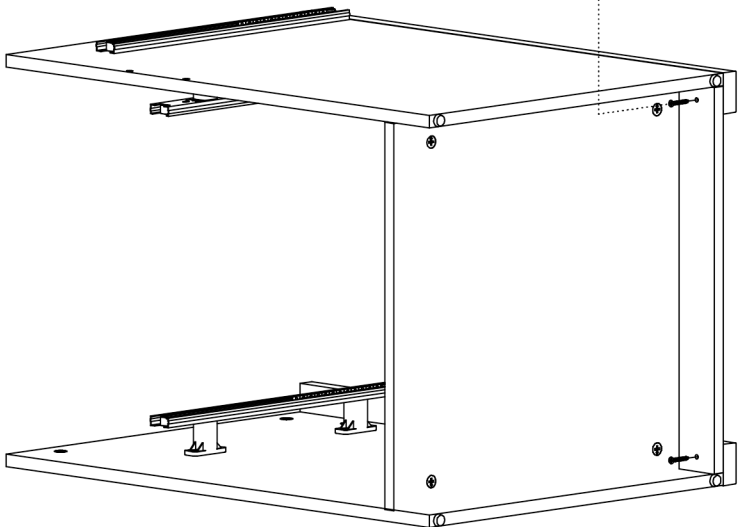
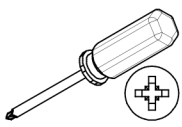
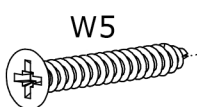
9

- A1 x 2
Ø8x35mm
- P3-a x 1
400mm
- W2 x 2
Ø3,5x16mm



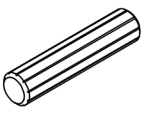
10

- W5 x 2
Ø4x30mm



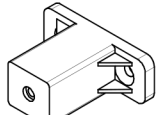
11

A1 x4



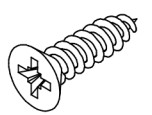
Ø8x35mm

F2 x2



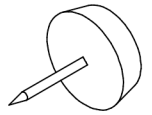
40mm

W2 x4

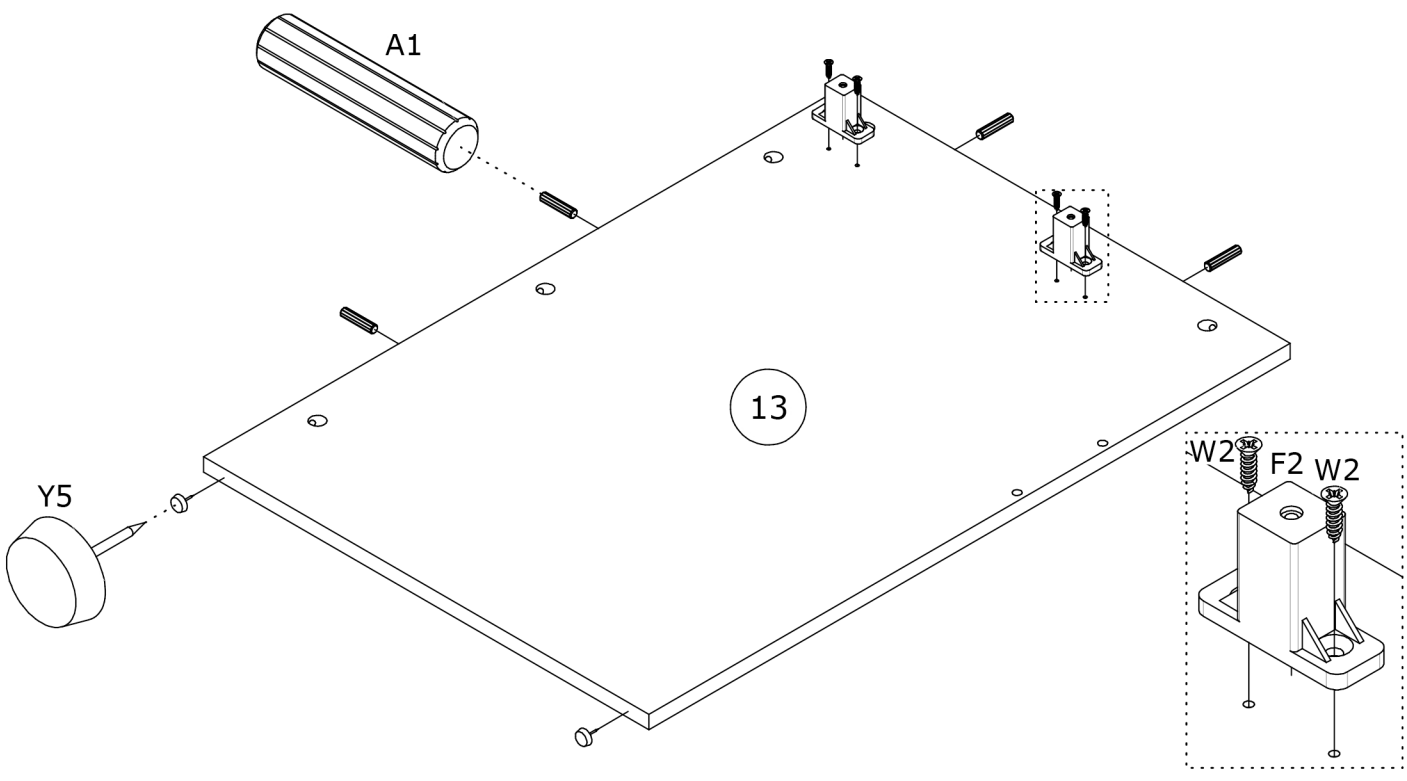
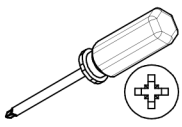
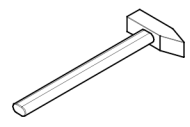


Ø3,5x16mm

Y5 x2

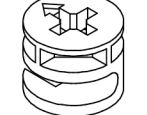


Ø15x20mm



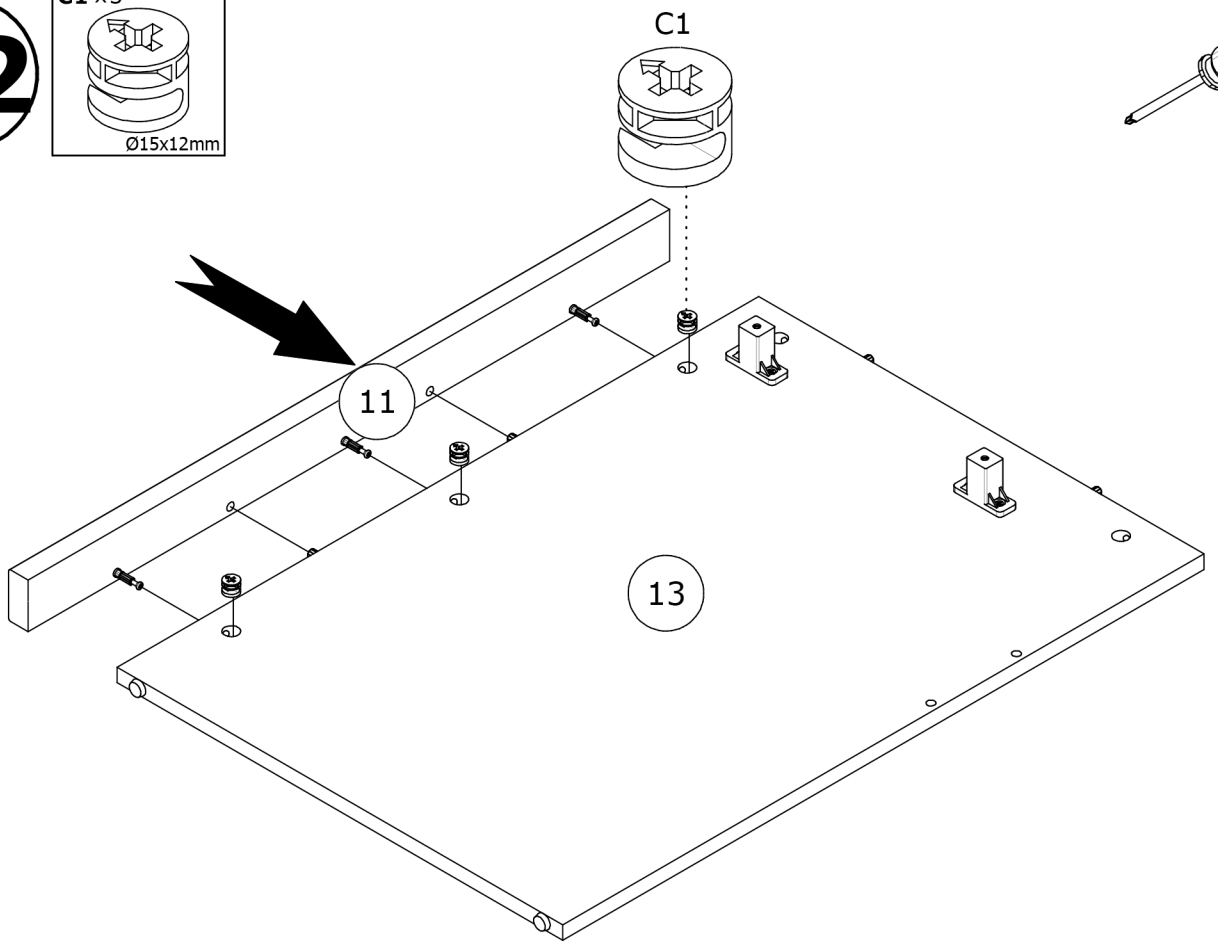
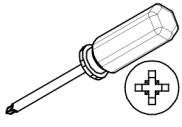
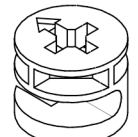
12

C1 x3

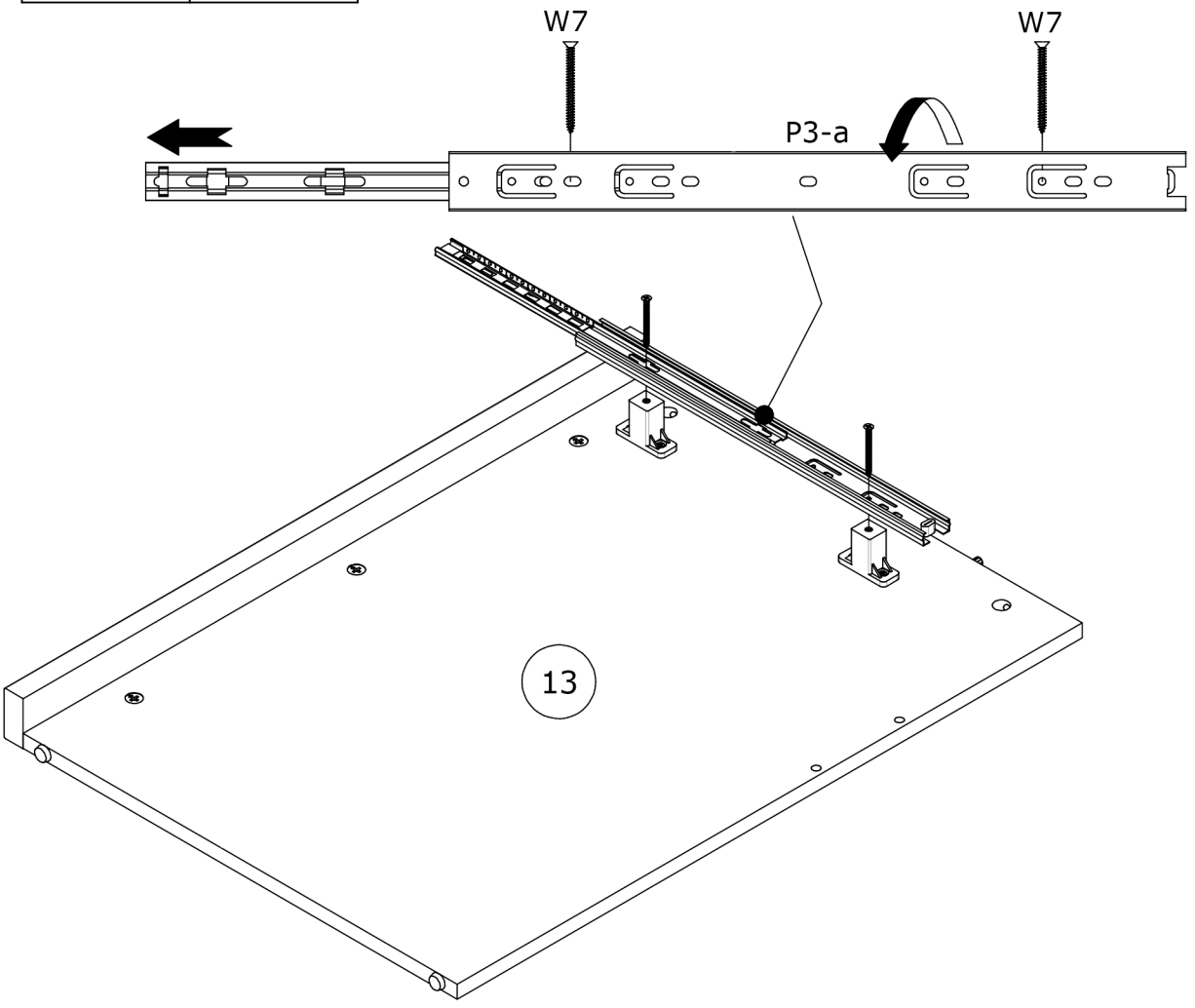
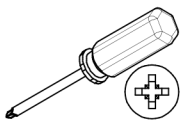
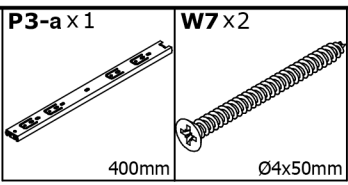


Ø15x12mm

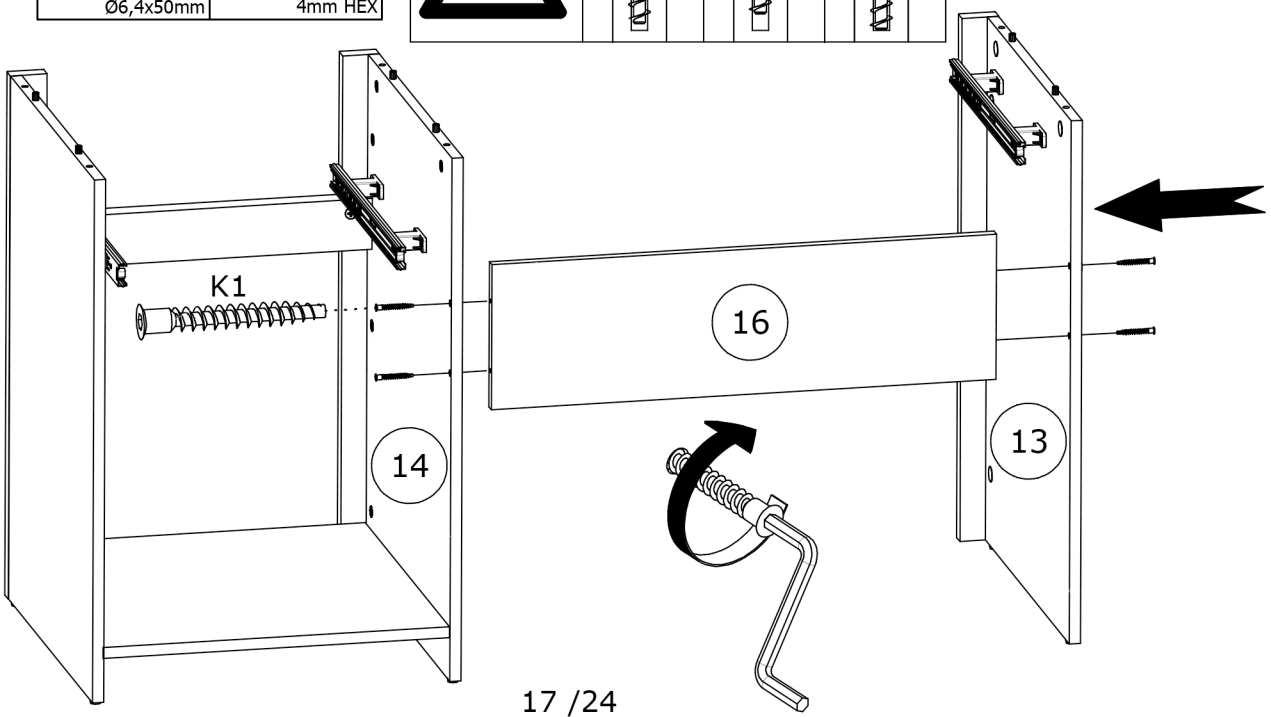
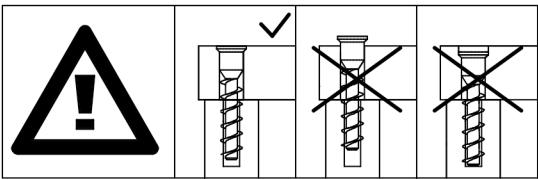
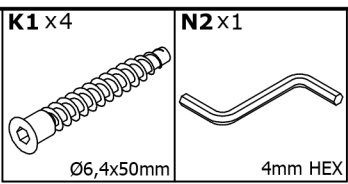
C1



13

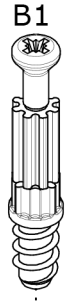
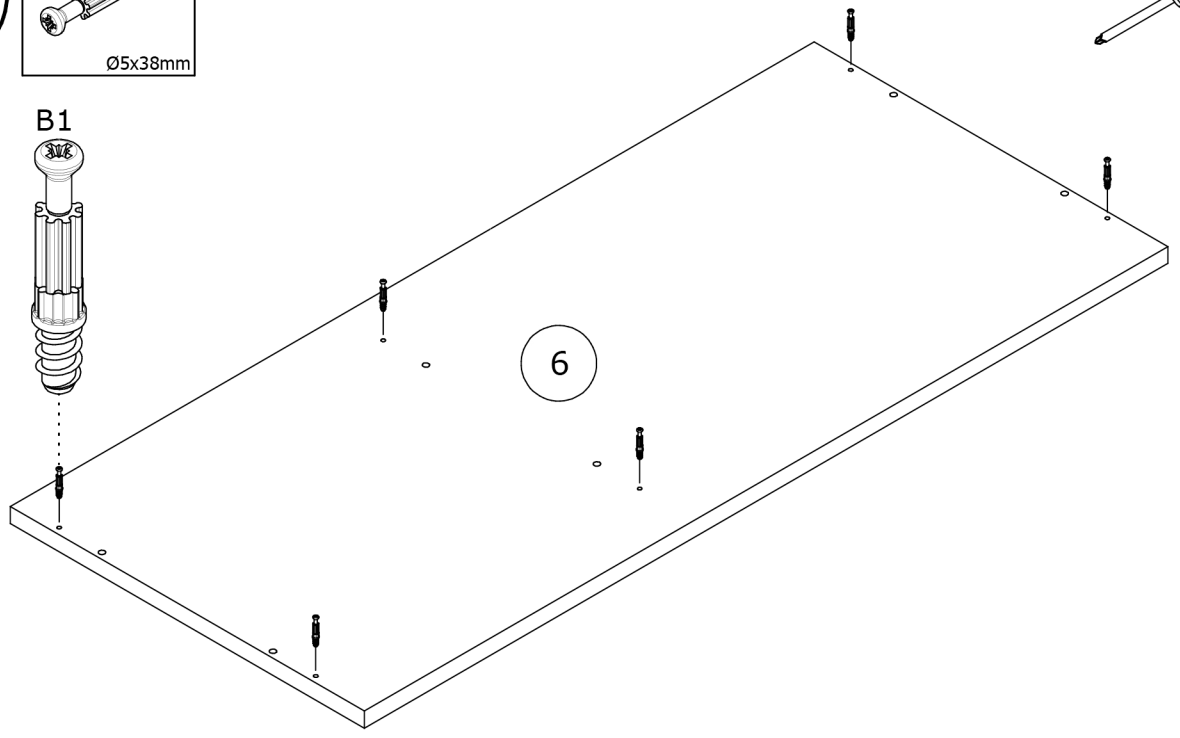


14



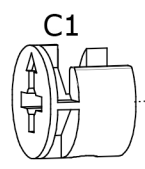
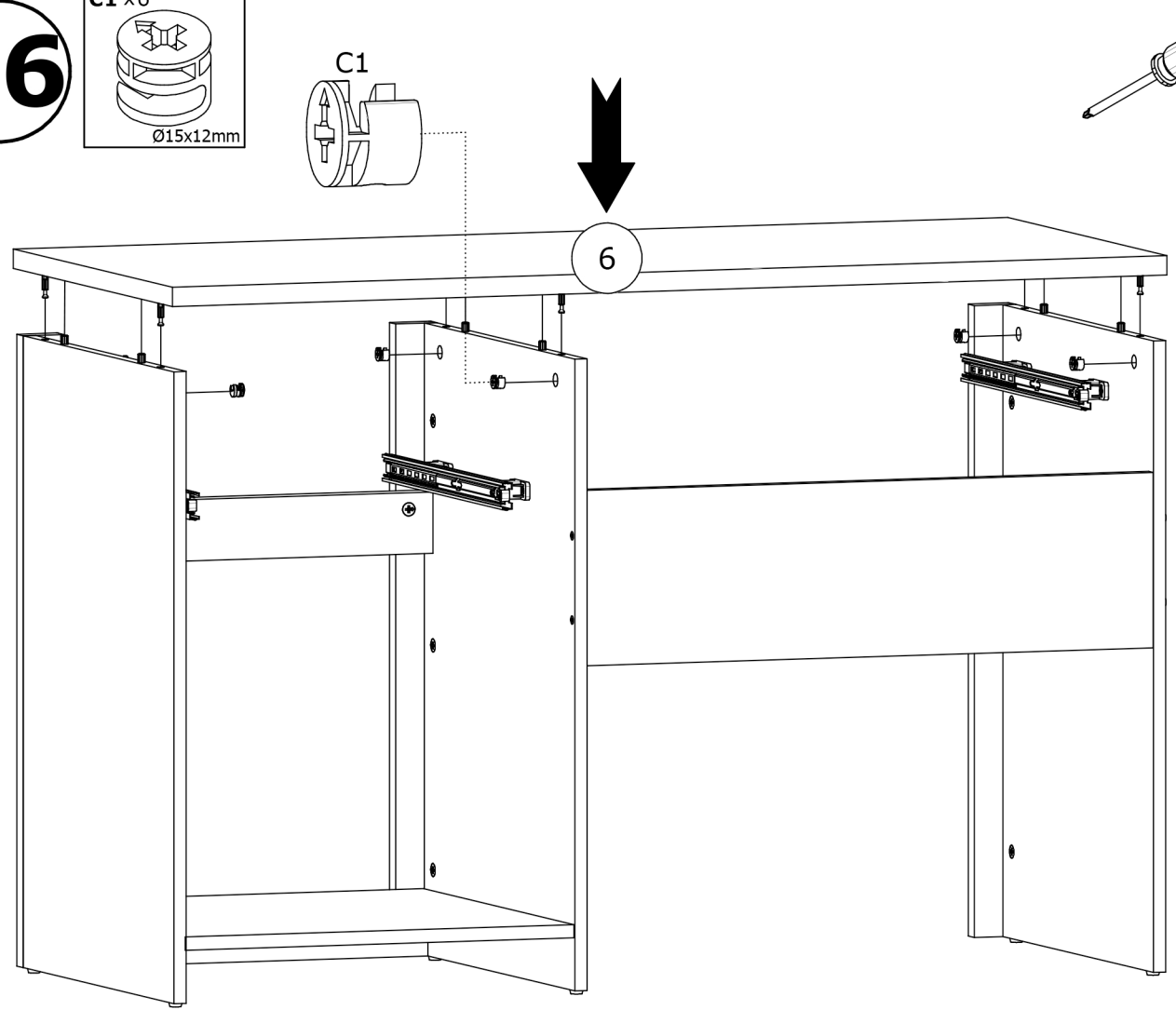
15

B1 x6
Ø5x38mm

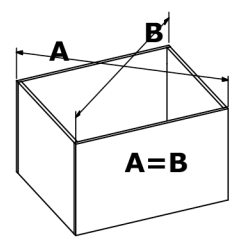
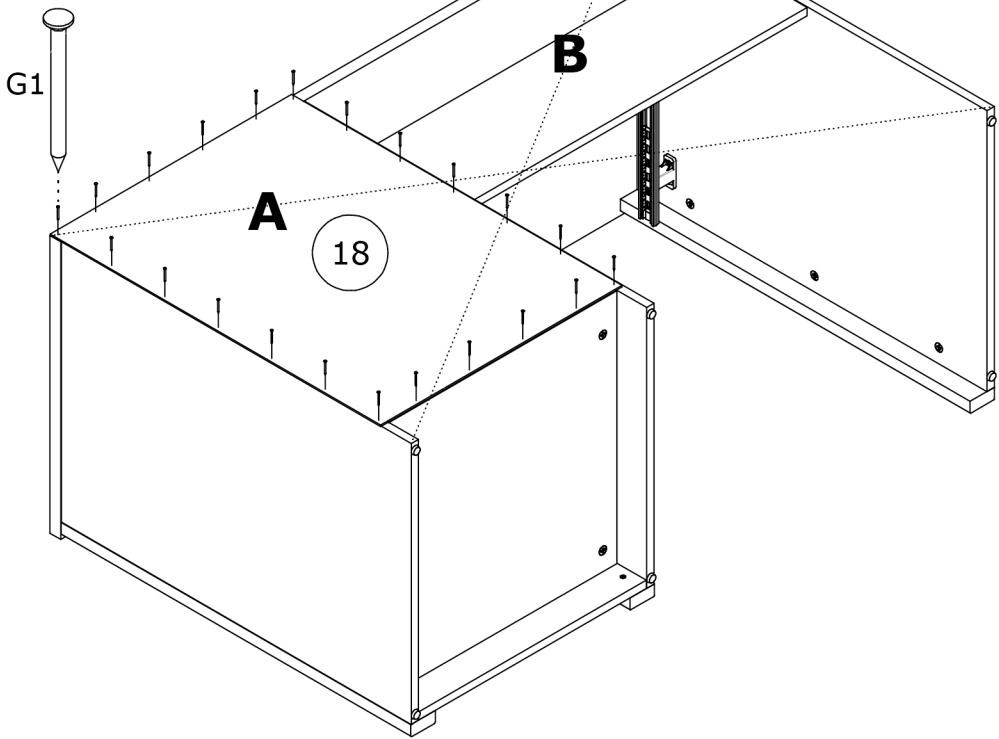
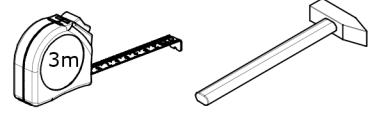
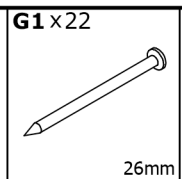


16

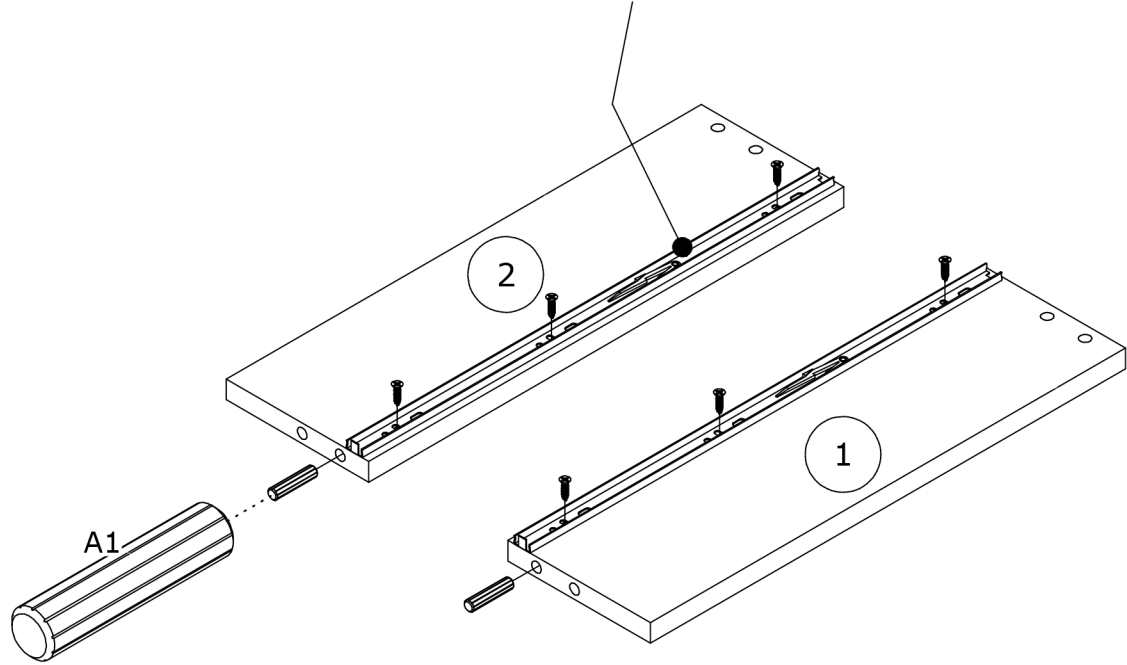
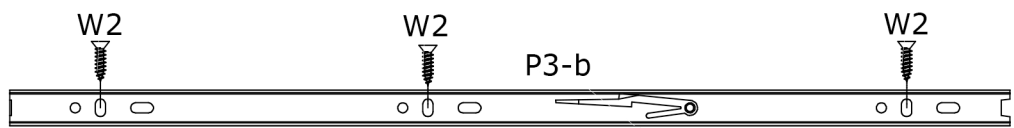
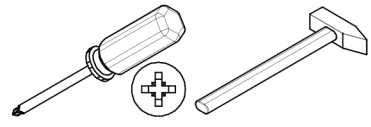
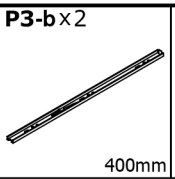
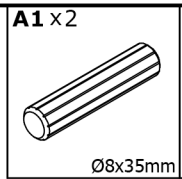
C1 x6
Ø15x12mm



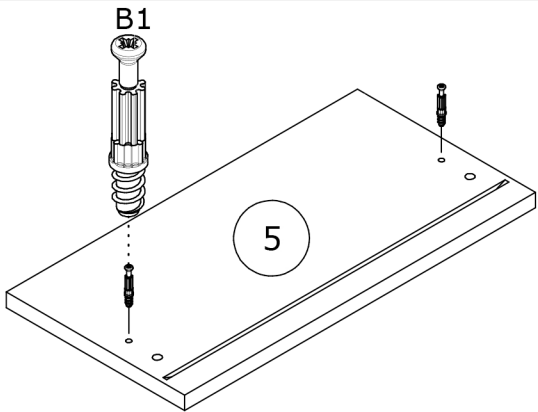
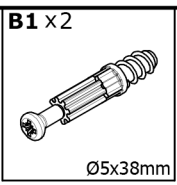
17



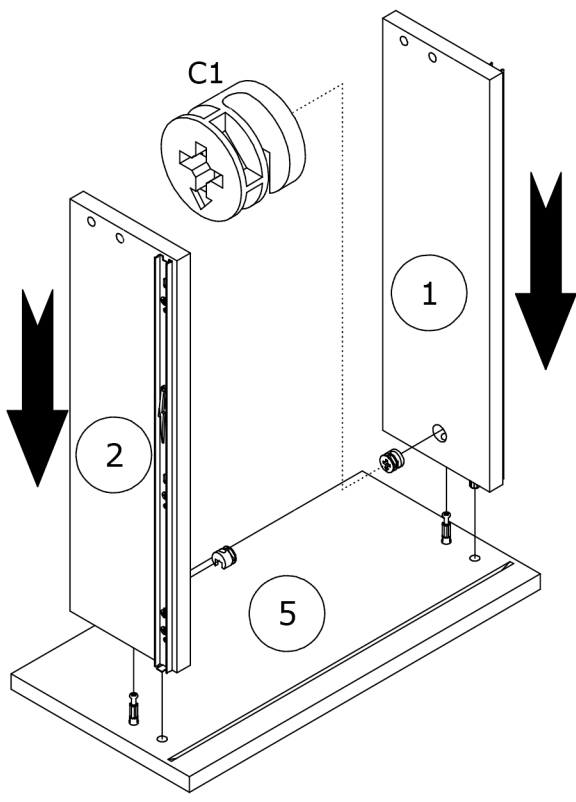
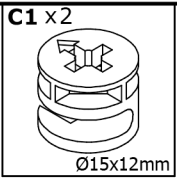
18



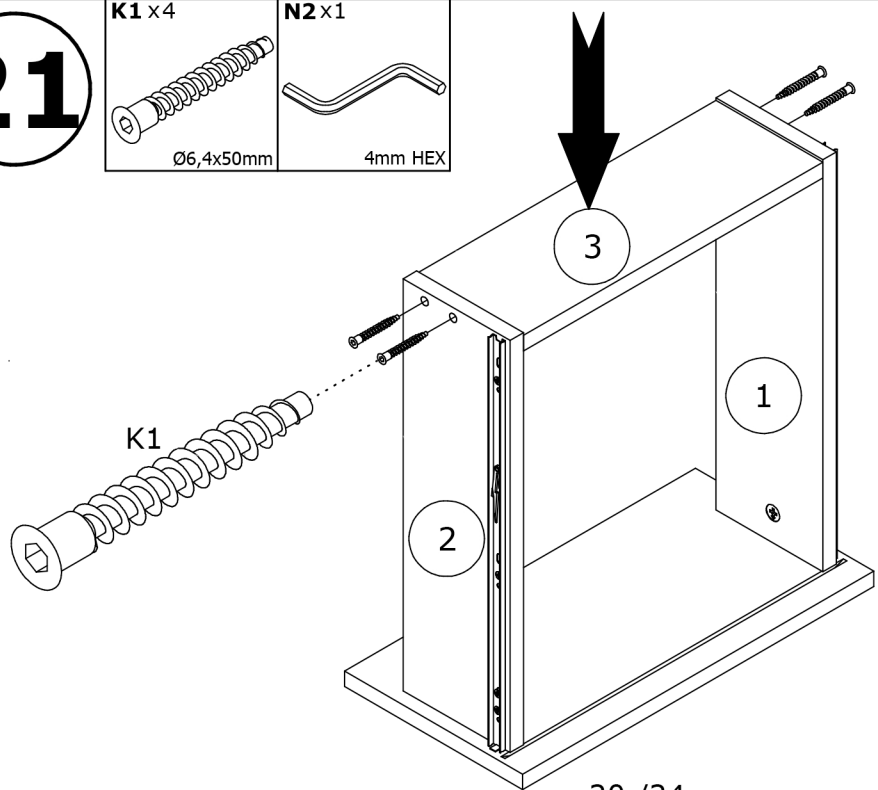
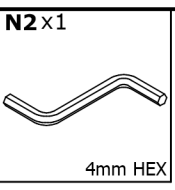
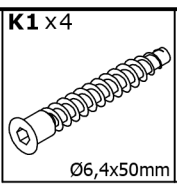
19



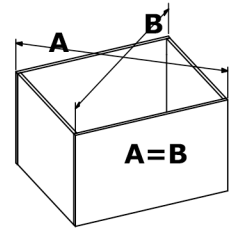
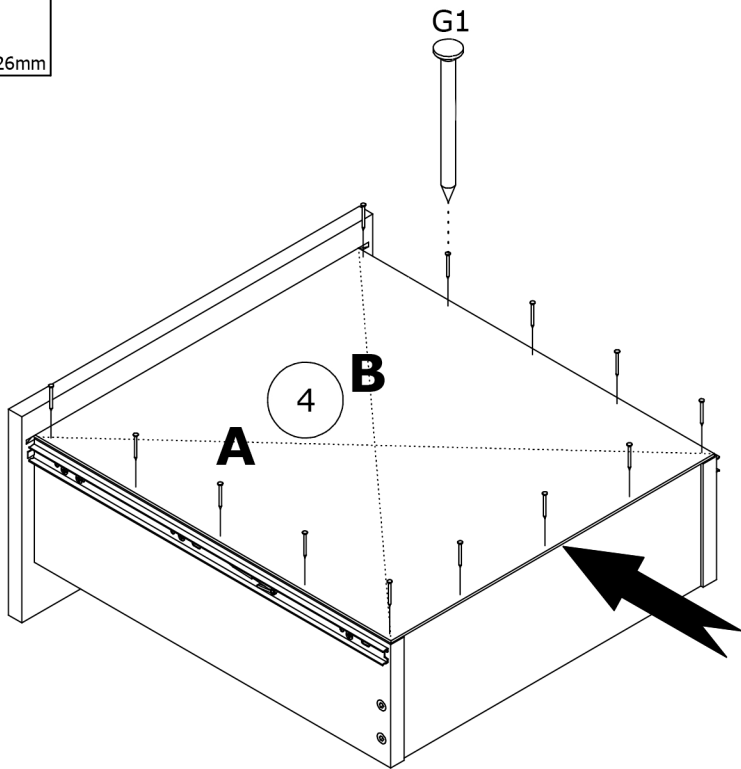
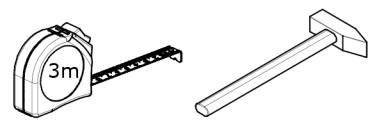
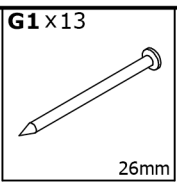
20



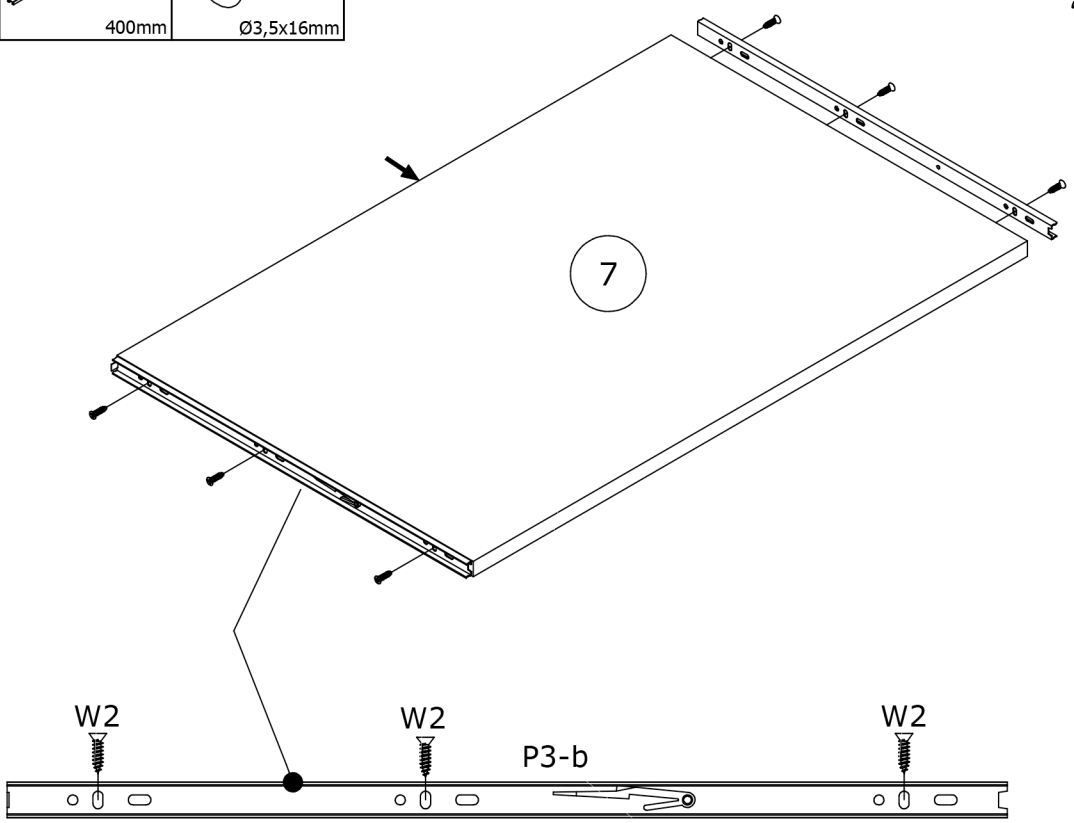
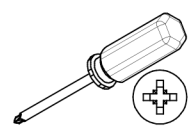
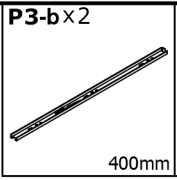
21



22

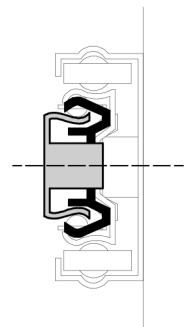
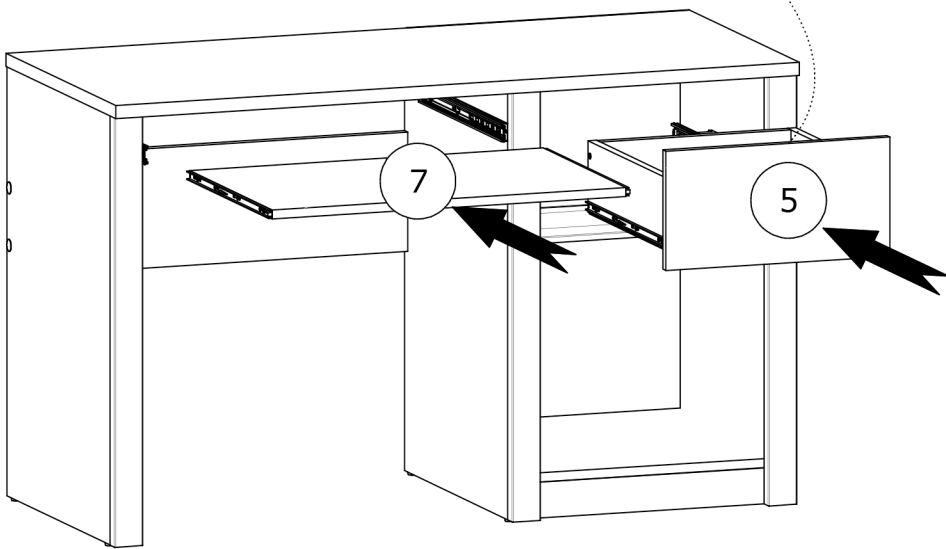
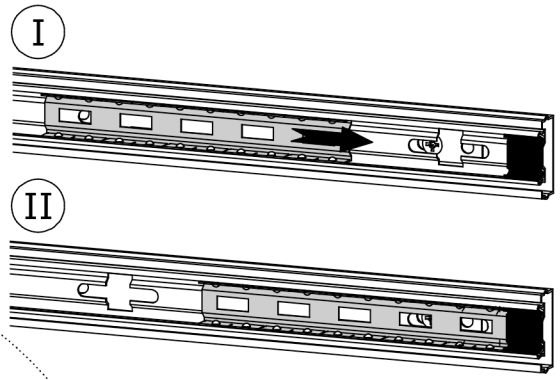
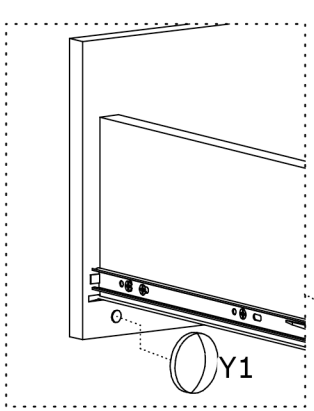


23



24

Y1 x 2
Ø8x1,5mm

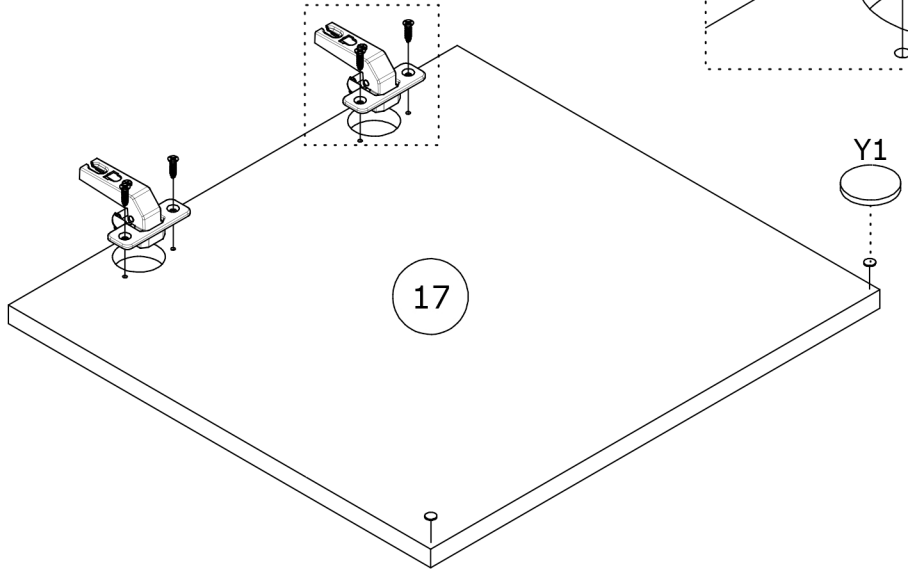
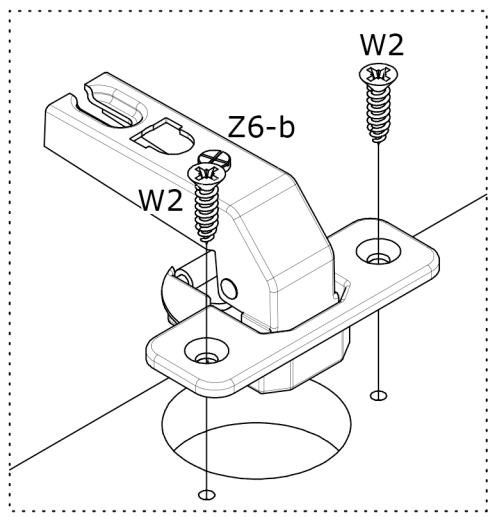
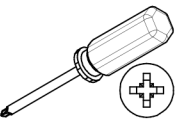


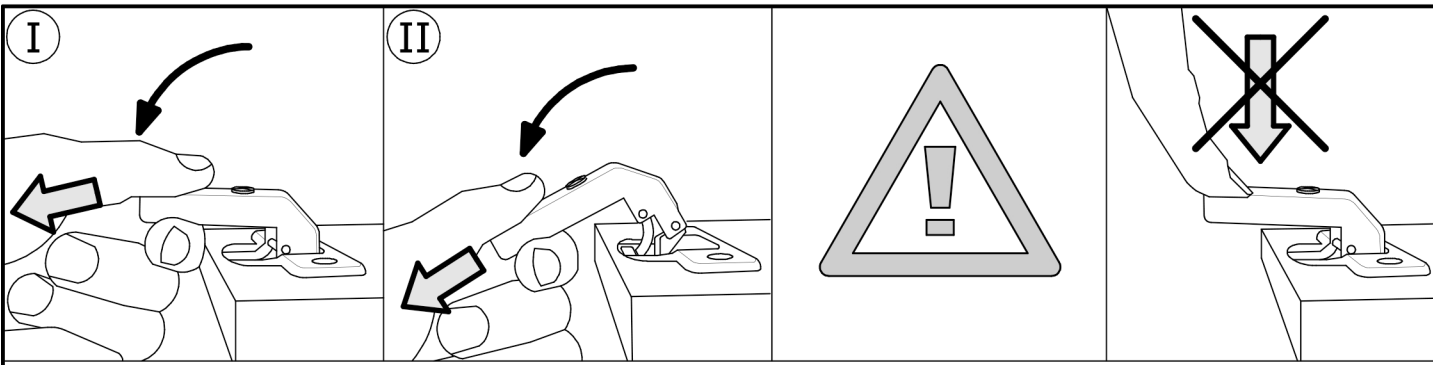
25

W2 x 4
Ø3,5x16mm

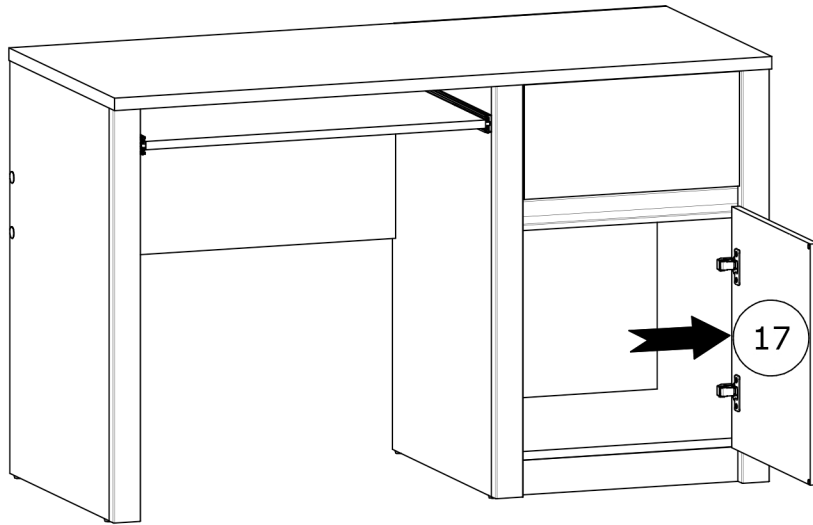
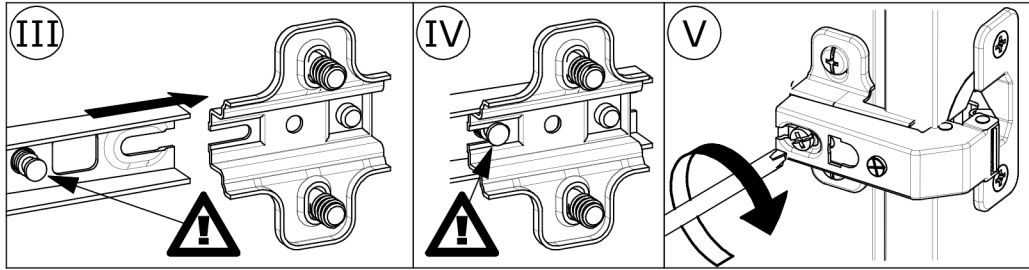
Y1 x 2
Ø8x1,5mm

Z6-b x 2
Ø35mm, 90°

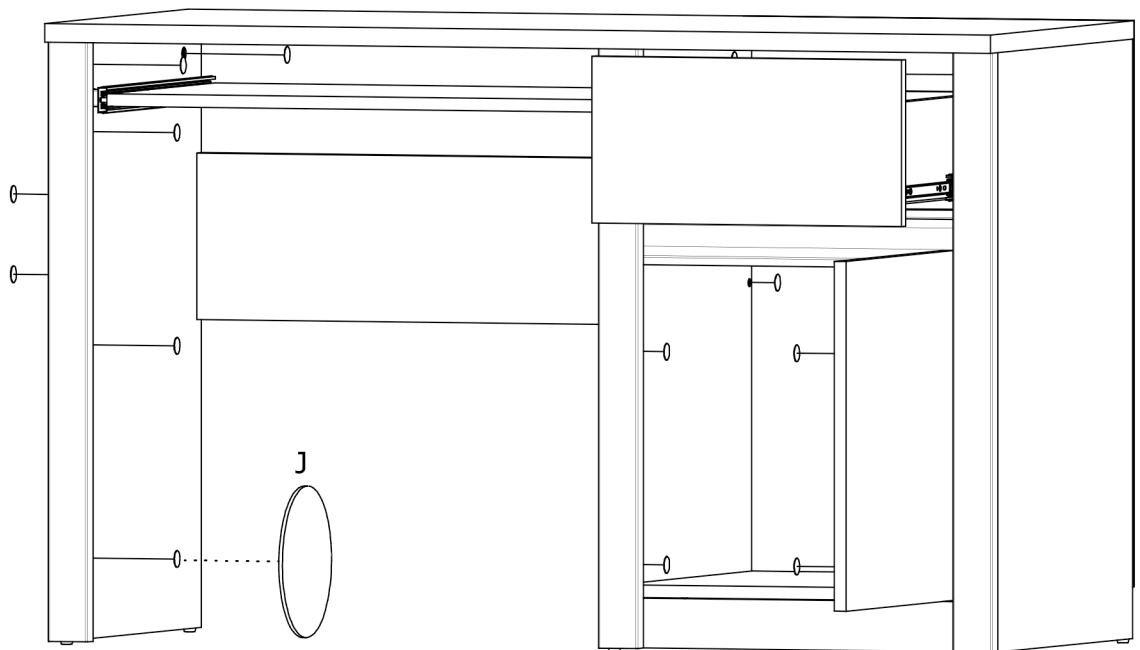
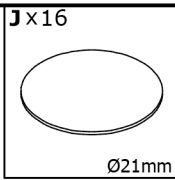




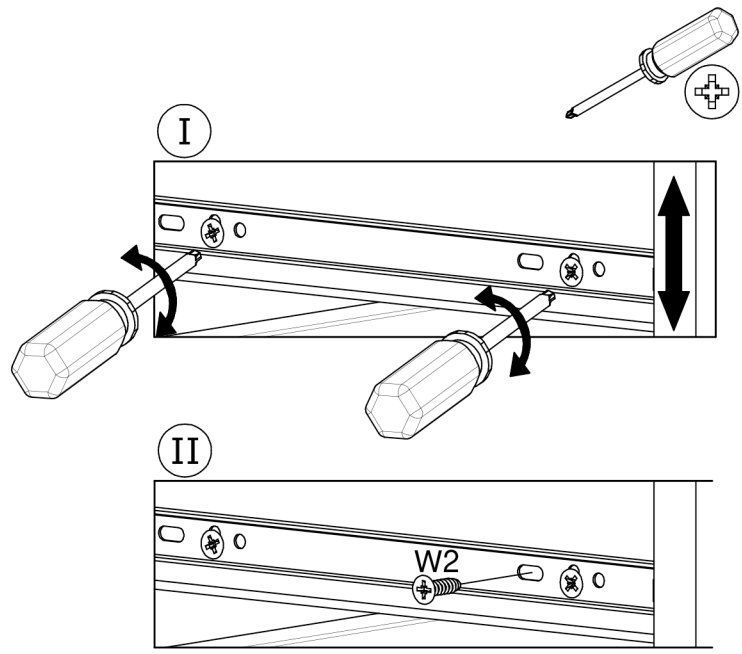
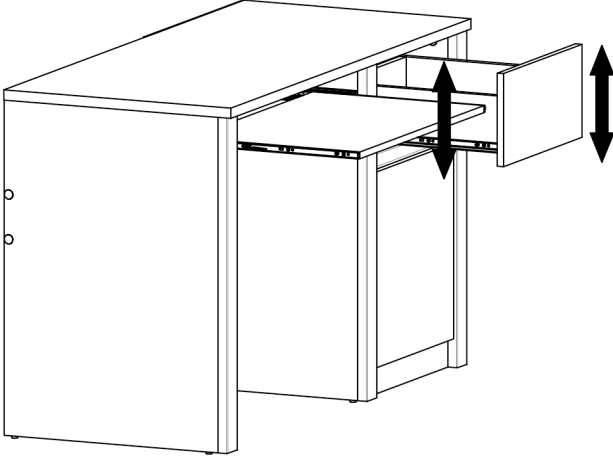
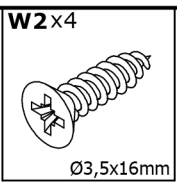
26



27



28



29

